

## 12 SERIES

- DOUBLE CONTACT CANDELABRA BAYONET NON-GROUNDED LAMPHOLDERS
- 6" WIRE LEADS • ZINC PLATED STEEL SHELL
- MAXIMUM RATING: 75 WATTS, 125 VOLTS
- UL AND CSA LISTED • UL FILE E20356 • CSA FILE LR 15284-2

### Overview

The 12 Series lampholders are constructed with a zinc plated steel shell, with two brass contacts mounted on a phenolic-insulating disc and two 6" wire leads. The bracket and shell are grounded independent of the contacts. Lampholders are designed for use with double contact candelabra bayonet lamps.

### Specifications

**Shell:** zinc plated steel.

**Custom shells also available:**

**Double contact indexed shell:** add **-DX** to end of part number. For example, **12-207** changes to **12-207-DX** for indexed shell. Shell is only available in zinc plated steel.

**Brass shell:** add **-BR** to the end of a part number. For example, **12-207** changes to **12-207-BR** for brass shell.

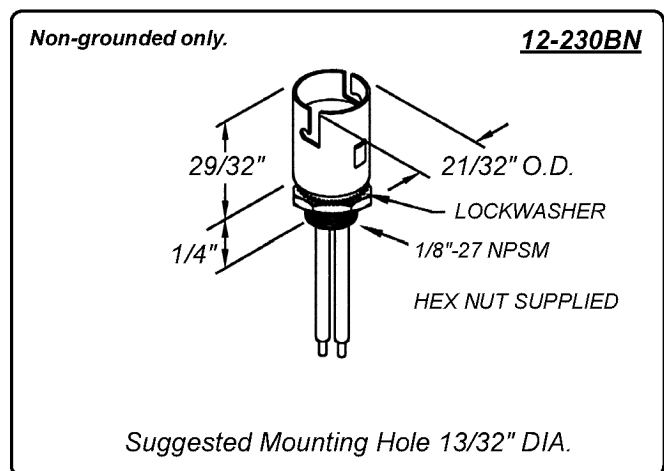
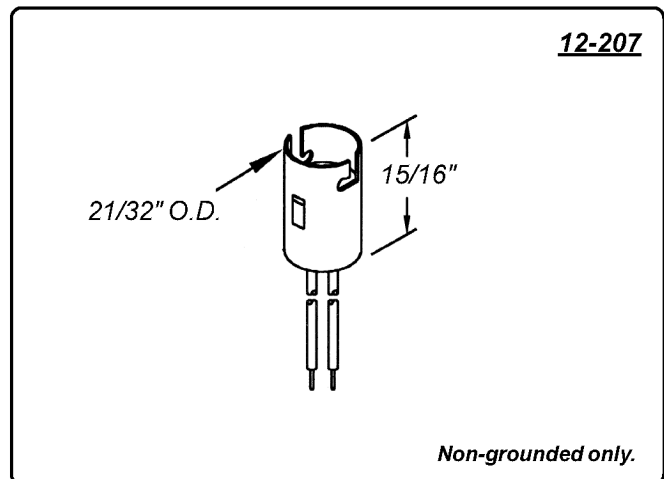
**Center contacts:** nickel plated brass supplied with phenolic insulating disc. A custom ceramic insulating disc is also available.

**Spring:** zinc plated steel. A custom stainless steel spring is also available.

**Wire leads: 6" Leads:** #18 AWG, black, bare copper, PVC insulated, UL/CSA rated 105° C, stripped 1/2". Non-grounded units are supplied with two 6" wire leads. Custom wire lengths, stripping, termination and wire types are also available.

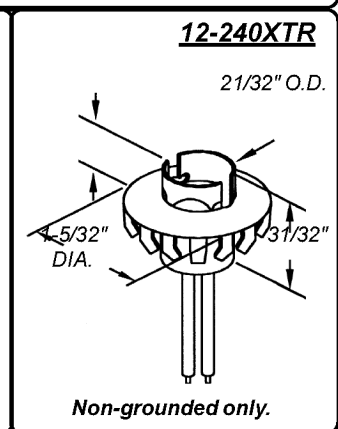
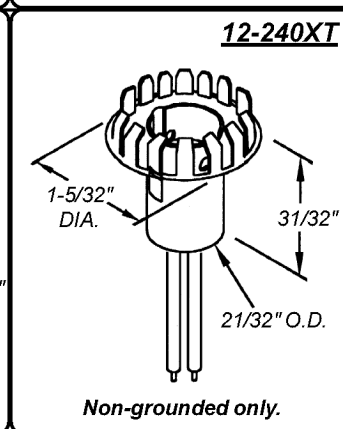
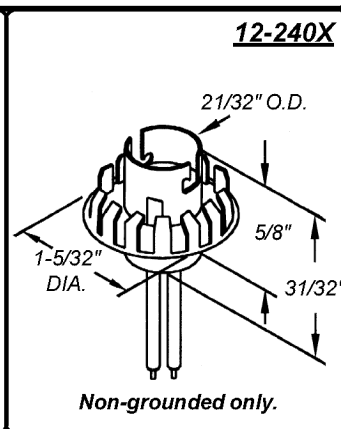
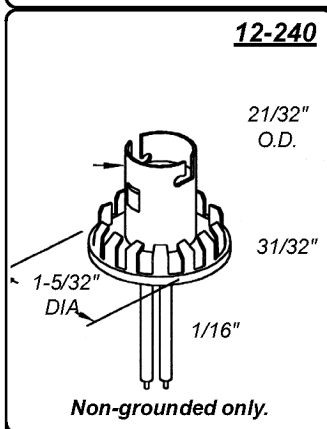
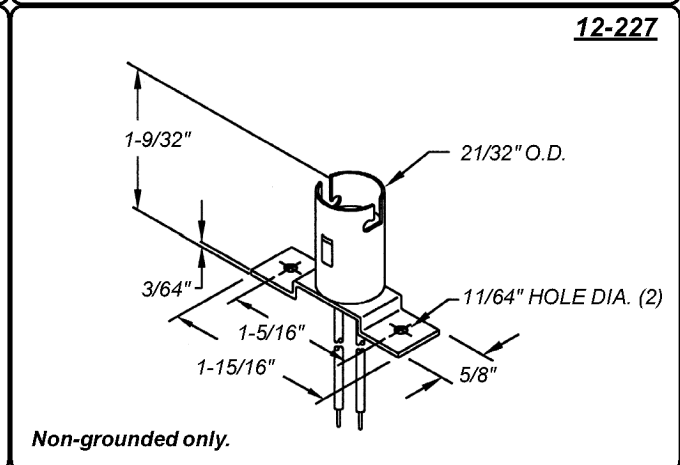
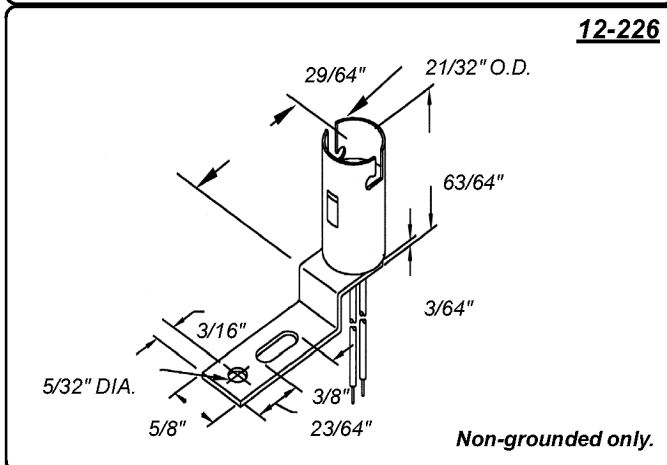
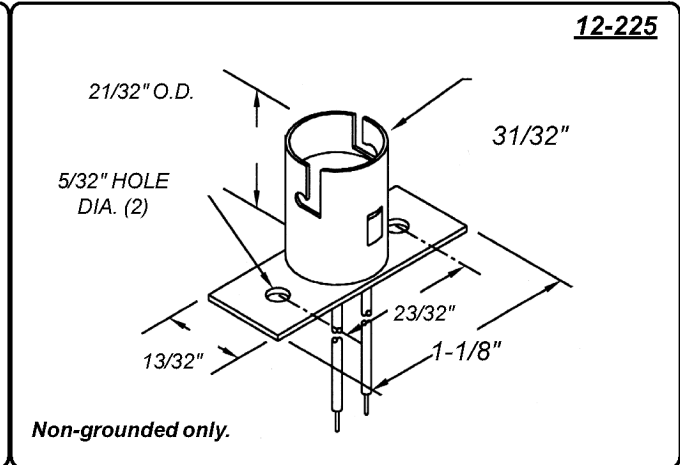
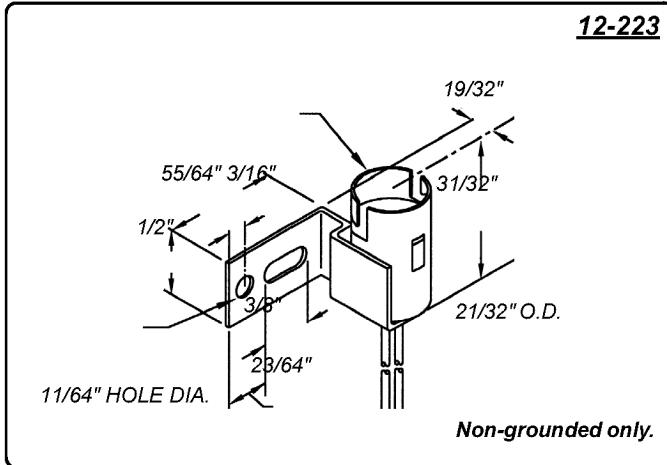
**Mounting: Brackets:** 0.025" to 0.032" zinc plated steel. Custom brackets and plating types are available. **Plug buttons:** zinc plated steel for 15/16" mounting holes. **Threaded bushing:** for 13/32" mounting hole. Supplied with lockwasher and hex nut.

**Maximum rating:** 75 Watts, 125 Volts.



**12 Series**  
**UL & CSA Listed**  
**Maximum Rating: 75 Watts, 125 Volts**

**Zinc Plated Shell**  
**Non-Grounded**  
**6" Wire Leads**



Plug buttons: zinc-plated steel, for 15/16" hole with panel thickness range 1/32" to 5/64".